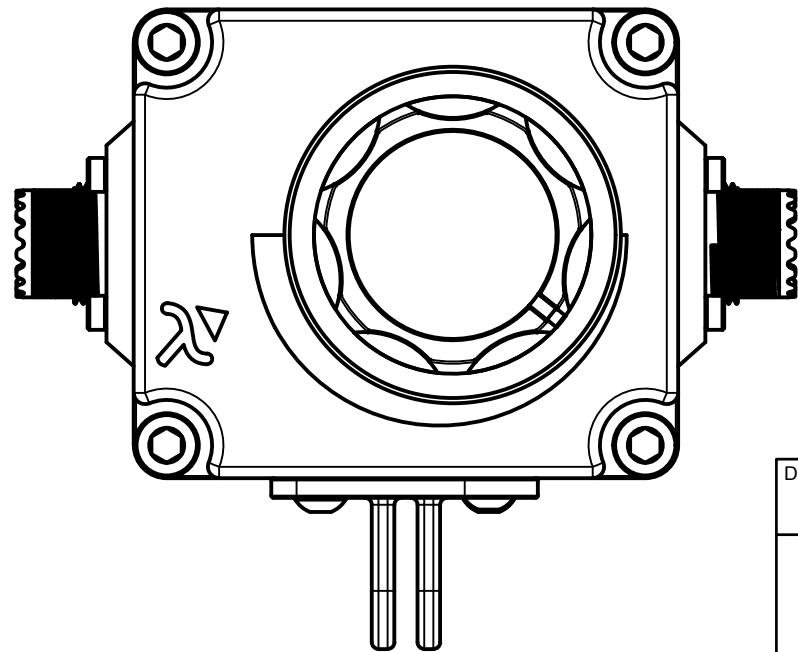
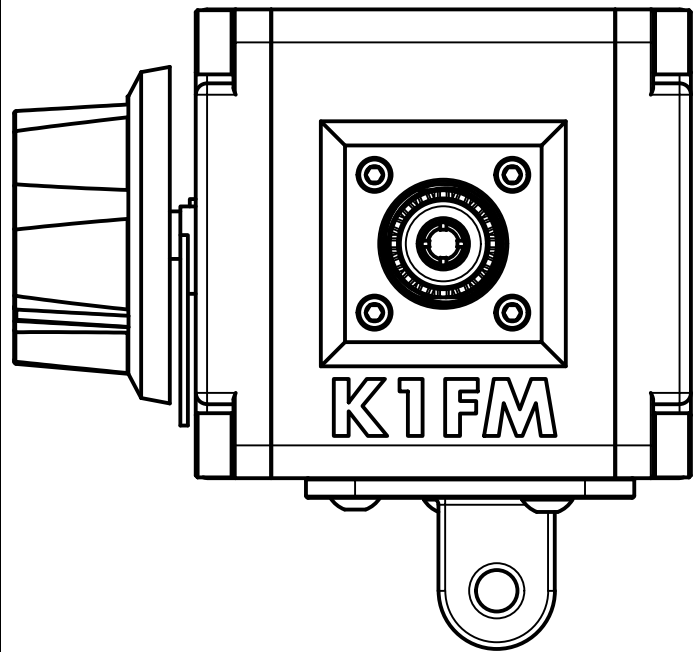
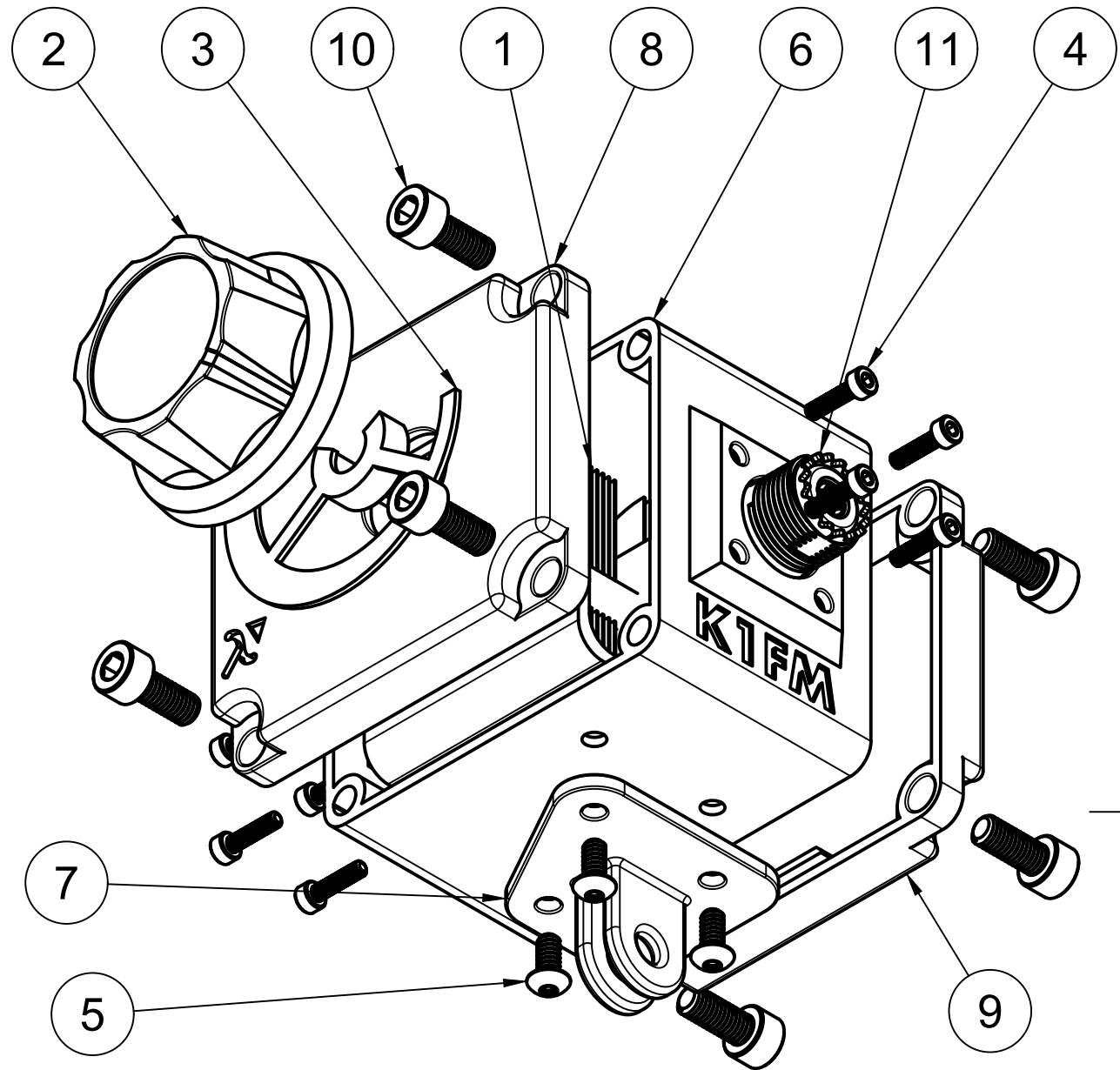
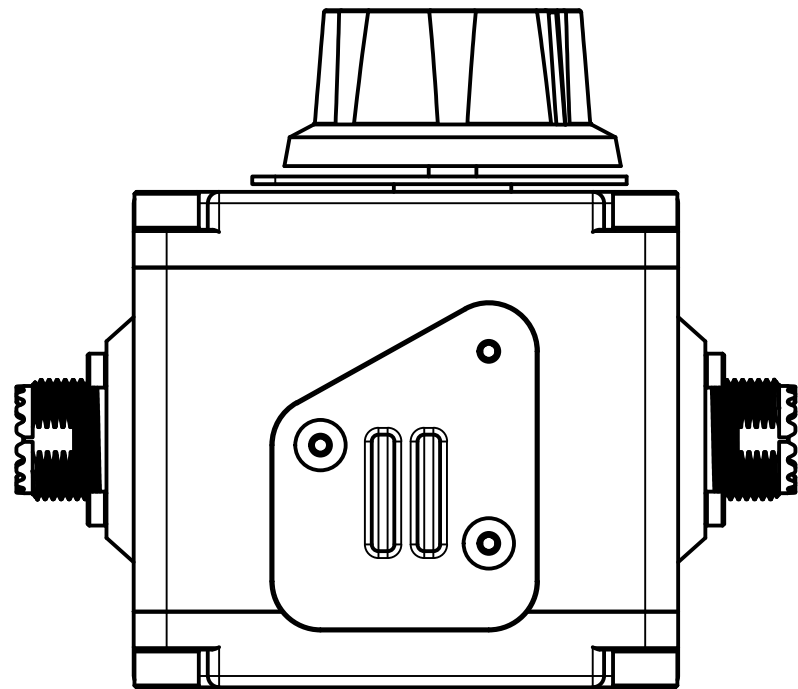


Parts List		
Item	Qty	Part Number
1	1	Capacitor S2-332x2P
2	1	MF-A05 44.5mm Knob
3	1	Dial bushing
4	8	M3-9mm
5	3	6-32x5/16
6	1	Middle
7	1	Box Support
8	1	Front
9	1	Rear
10	8	M5-12mm
11	2	SO239



Dept.	Technical reference	Created by Alain De Carolis 7/16/20	Approved by
		Document type	Document status
		Title Capacitor Assembly	DWG No.
Rev.	Date of issue	Sheet 1/1	